

MM3Z2B4~MM3ZB75

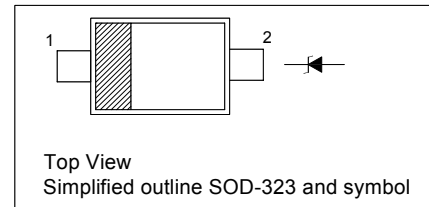
Silicon Planar Zener Diodes

Features

- Power Dissipation: 300 mW
- Zener Voltage Tolerance: $\pm 2\%$

PINNING

PIN	DESCRIPTION
1	Cathode
2	Anode



Absolute Maximum Ratings ($T_a = 25\text{ }^\circ\text{C}$)

Parameter	Symbol	Value	Unit
Total Power Dissipation	P_{tot}	300	mW
Junction Temperature	T_j	150	$^\circ\text{C}$
Storage Temperature Range	T_{stg}	- 55 to + 150	$^\circ\text{C}$

Characteristics at $T_a = 25\text{ }^\circ\text{C}$

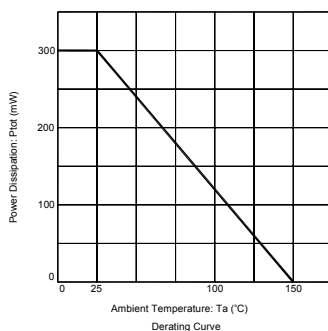
Parameter	Symbol	Max.	Unit
Thermal Resistance Junction to Ambient Air	$R_{\theta\text{JA}}$	417	$^\circ\text{C/W}$
Forward Voltage at $I_F = 10\text{ mA}$	V_F	0.9	V



MM3Z2B4~MM3ZB75

Type	Marking Code	Zener Voltage Range ¹⁾			Dynamic Impedance		Reverse Leakage Current	
		V _{znom} V	I _{ZT} mA	for V _{ZT} V	Z _{ZT} (Max.) Ω	at I _{ZT} mA	I _R (Max.) μA	at V _R V
MM3Z2B4	DN	2.4	5	2.352...2.448	100	5	120	1
MM3Z2B7	DP	2.7	5	2.646...2.754	110	5	120	1
MM3Z3B0	DR	3.0	5	2.94...3.06	120	5	50	1
MM3Z3B3	DX	3.3	5	3.234...3.366	130	5	20	1
MM3Z3B6	DY	3.6	5	3.528...3.672	130	5	10	1
MM3Z3B9	DZ	3.9	5	3.822...3.978	130	5	5	1
MM3Z4B3	ZO	4.3	5	4.214...4.386	130	5	5	1
MM3Z4B7	EB	4.7	5	4.606...4.794	130	5	2	1
MM3Z5B1	EC	5.1	5	4.998...5.202	130	5	2	1.5
MM3Z5B6	ED	5.6	5	5.488...5.712	80	5	1	2.5
MM3Z6B2	EE	6.2	5	6.076...6.324	50	5	1	3
MM3Z6B8	EF	6.8	5	6.664...6.936	30	5	0.5	3.5
MM3Z7B5	EH	7.5	5	7.35...7.65	30	5	0.5	4
MM3Z8B2	EJ	8.2	5	8.036...8.364	30	5	0.5	5
MM3Z9B1	EK	9.1	5	8.918...9.282	30	5	0.5	6
MM3ZB10	EM	10	5	9.8...10.2	30	5	0.1	7
MM3ZB11	EN	11	5	10.78...11.22	30	5	0.1	8
MM3ZB12	EP	12	5	11.76...12.24	35	5	0.1	9
MM3ZB13	ER	13	5	12.74...13.26	35	5	0.1	10
MM3ZB15	EX	15	5	14.7...15.3	40	5	0.1	11
MM3ZB16	EY	16	5	15.68...16.32	40	5	0.1	12
MM3ZB18	EZ	18	5	17.64...18.36	45	5	0.1	13
MM3ZB20	FA	20	5	19.6...20.4	50	5	0.1	15
MM3ZB22	FB	22	5	21.56...22.44	55	5	0.1	17
MM3ZB24	FC	24	5	23.52...24.48	60	5	0.1	19
MM3ZB27	FD	27	5	26.46...27.54	70	2	0.1	21
MM3ZB30	FE	30	5	29.4...30.6	80	2	0.1	23
MM3ZB33	FF	33	5	32.34...33.66	80	2	0.1	25
MM3ZB36	FH	36	5	35.28...36.72	90	2	0.1	27
MM3ZB39	FJ	39	2.5	38.22...39.78	100	2	2	30
MM3ZB43	XJ	43	2.5	42.14...43.86	130	2	2	33
MM3ZB47	XK	47	2.5	46.06...47.94	150	2	2	36
MM3ZB51	XM	51	2.5	49.98...52.02	180	2	1	39
MM3ZB56	XN	56	2.5	54.88...57.12	180	2	1	43
MM3ZB62	XP	62	2.5	60.76...63.24	200	2	0.2	47
MM3ZB68	XR	68	2.5	66.64...69.36	250	2	0.2	52
MM3ZB75	XX	75	2.5	73.5...76.5	300	2	0.2	57

¹⁾ V_Z is tested with pulses (20 ms).



CHANGZHOU GUANGDA ELECTRONIC CO. LTD

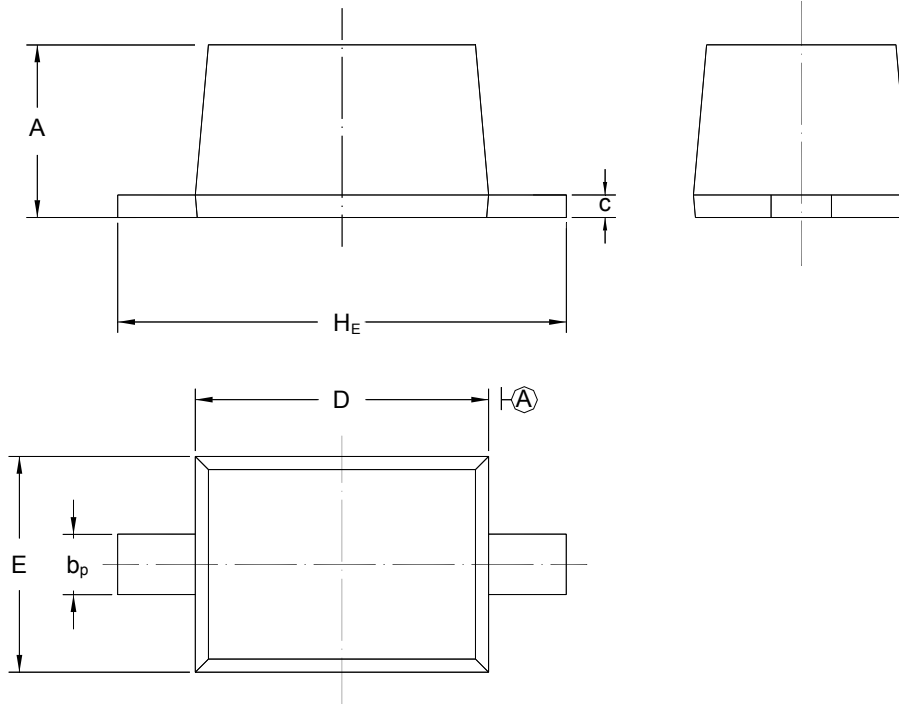
Dated : 12/06/2009

MM3Z2B4~MM3ZB75

PACKAGE OUTLINE

Plastic surface mounted package; 2 leads

SOD-323



UNIT	A	b _p	C	D	E	H _E
mm	1.10 0.80	0.40 0.25	0.15 0.00	1.80 1.60	1.35 1.15	2.80 2.30



CHANGZHOU GUANGDA ELECTRONIC CO. LTD

Dated : 12/06/2009